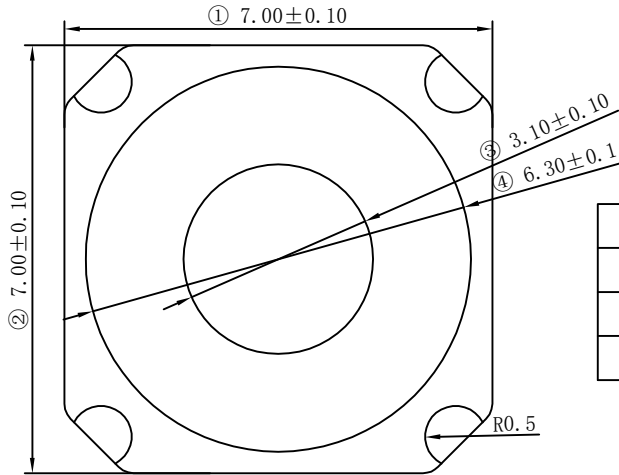


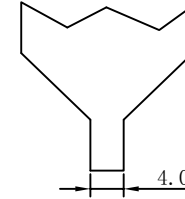
Dome reference ×××	Trip Force±30(g)	
	250	300
Height H±0.05(mm)	0.31	0.32
Click ratio(%)±15	55	

REVISIONS HISTORY				精度	公差
REV	DESCRIPTION	DATE	MODIFIED BY	CLASS	TOLERANCE
				X.X	±0.30
				X.XX	±0.10
				X.XXX	±0.05
				ANGLES	±0.5°



YY	Plating	Thickness
DN	Nickel	0.2um
DJ	Gold	0.05um
DY	Silver	0.5um

量测测头



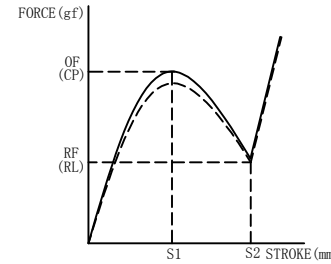
MEASUREMENT METHOD

寿命测试规范:

Specification for life testing

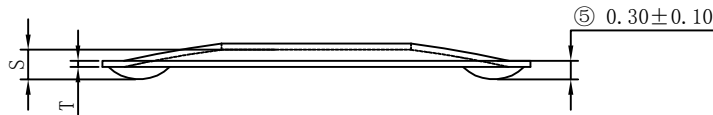
测试头为直径4.0mm铜质平头, 打击力度为2倍之Copper, 4.0mm cylinder flat head, Hit force is 2 times standard Froce specification (Over 250gf, Hit force 500gf), 打击位置为弹片正中心, 500gf). Right in the center of the Dome.

打击速度为80次/分, 测试治具底部为平面; Speed:80cycles/min, Height of fixture: 0mm



FORCE CHARACTERISTICS

OF: OPERATING FORCE (gf)
CP: COMPRESSION PEAK POINT
RF: RETURN FORCE (gf)
RL: RELEASE LOW POINT
S: STROKE (mm)
CR: CLICK RATIO
CR= [(OF-RF)/OFx100%]
RESISTANCE: ≤1Ω



麦拉PET+锅仔总高度=产品厚度.



代号说明 Code description	
L	方形 Square
K	开孔 Hole
DN	镀镍 Ni
J	散装包装 Bulk packing

序号 Item	产品型号 Product model	材料厚度 Materials T(mm)	动作荷重 Operating Force (g)	手感率 Click Ratio (%)	行程 Travel S(mm)	动作寿命 Operating life (cycles)
1	SD-X70L20-K-DN-J	0.10	200±30	55±15	0.30±0.05	600000

this document is the property of Zigeng. It may not be reproduced without the prior written permission of the owner.

<p>邦斯达 BONSODA Electronics</p> <p>深圳市子庚科技有限公司</p>			图号 DWG NO	70L20KDNJ-000		
<p>核 准 APPROVED</p> <p>王瑾雅</p>			<p>三角法 TRIGONOMETRY</p>		比例 SCALE	10:1
<p>核 对 CHECKED</p> <p>张鸿标</p>			<p>产品名 PRODUCT NAME</p> <p>金属弹片 METAL DOME</p>		单位 UNIT	毫米 MM
<p>制 图 DRAWN</p> <p>张鸿标</p>			<p>工作温度 OPERATING TEMPERATURE</p> <p>+105° -10°</p>		版次 No.REV.	A0
<p>日 期 DATE</p> <p>2024.01.04</p>			<p>储存温度 DEPOSIT TEMPERATURE</p> <p>+100° -55°</p>		页码 Page	1/1