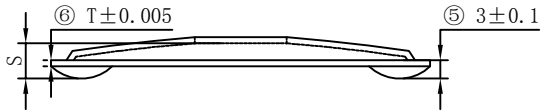
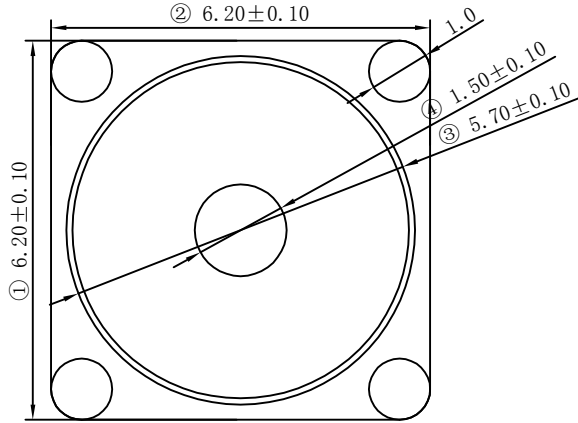
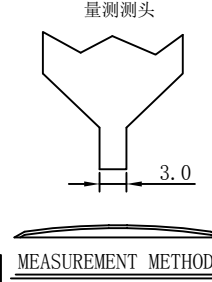


Dome reference ×××	Trip Force±20(g)					Trip Force±40(g)
	100	130	160	180	200	400
Height H±0.05(mm)	0.21	0.22	0.23	0.24	0.25	0.31
Click ratio(%)±15	55					

REVISIONS HISTORY				精度	公差
REV	DESCRIPTION	DATE	MODIFIED BY	CLASS	TOLERANCE
				X.X	±0.30
				X.XX	±0.10
				X.XXX	±0.05
				ANGLES	±0.5°



YY	Plating	Thickness
DN	Nickel	0.2um
DJ	Gold	0.05um
DY	Silver	0.5um



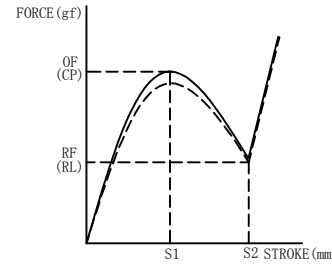
寿命测试规范:

Specification for life testing

测试头为直径3.0mm铜质平头, 打击力度为2倍之Copper, 3.0mm cylinder flat head, Hit force is 2 times standard Froce specification (Over 250gf, Hit force 500gf), 打击位置为弹片正中心, 500gf). Right in the center of the Dome.

打击速度为120次/分, 测试治具底部为平面; Speed:120cycles/min, Height of fixture: 0mm

MEASUREMENT METHOD



FORCE CHARACTERISTICS

OF: OPERATING FORCE (gf)
CP: COMPRESSION PEAK POINT
RF: RETURN FORCE (gf)
RL: RELEASE LOW POINT
S: STROKE (mm)
CR: CLICK RATIO
CR= [(OF-RF)/OFx100%]
RESISTANCE: ≤1Ω

麦拉PET+锅仔总高度=产品厚度 .



代号说明 Code description	
L	方形 Square
K	开孔 Hole
DN	镀镍 Ni
J	散装包装 Bulk packing

序号 Item	产品型号 Product model	材料厚度 Materials T(mm)	动作荷重 Operating Force (g)	手感率 Click Ratio (%)	行程 Travel S(mm)	动作寿命 Operating life (cycles)
1	SD-X62L30-K-DN-J	0.10	300±30	55±15	0.28±0.05	500000

this document is the property of Zigeng. It may not be reproduced without the prior written permission of the owner.

<p>邦斯达 BONSDA 康科 深圳市子庚科技有限公司</p>			图号 DWG NO	62L30KDNJ-000		
<p>核 准 APPROVED</p>			三角法 TRIANGOMETRY		比例 SCALE	10:1
<p>核 对 CHECKED</p>			产品名 PRODUCT NAME		单位 UNIT	毫米 MM
<p>制 图 DRAWN</p>			工作温度 OPERATING TEMPERATURE		版次 No.REV.	A0
<p>日 期 DATE</p>			储存温度 DEPOSIT TEMPERATURE		页 码 Page	1/1