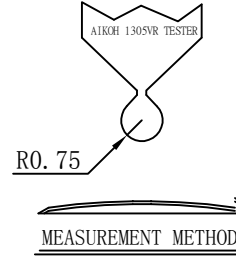
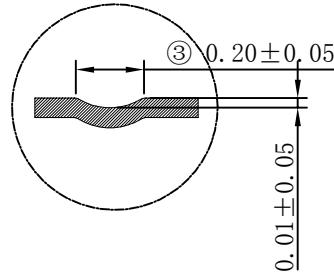
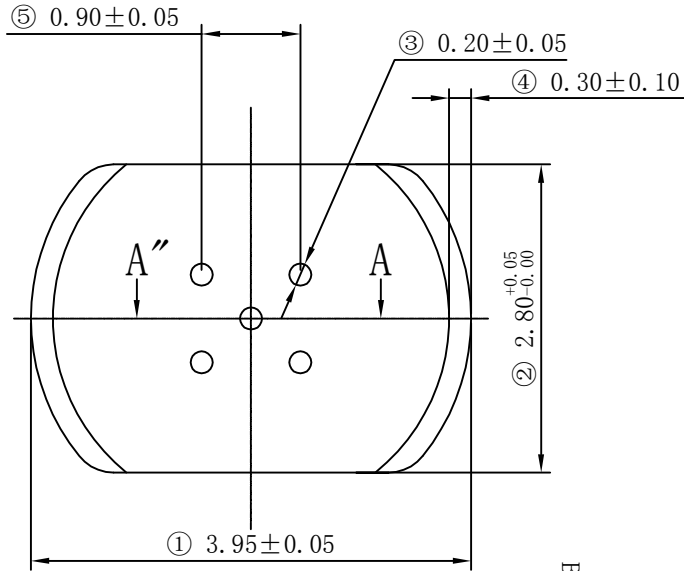
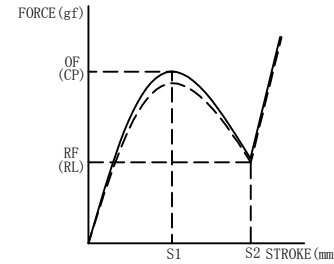


Dome reference ×××	Trip Force±20(g)	
	160	180
Height H±0.03(mm)	0.19	0.20
Click ratio(%)±10	55	

REVISIONS HISTORY				精度	公差
REV	DESCRIPTION	DATE	MODIFIED BY	CLASS	TOLERANCE
				X.X	±0.30
				X.XX	±0.10
				X.XXX	±0.05
				ANGLES	±0.5°



寿命测试规范:
Specification for life testing:
测试头为直径1.6mm铜质平头,
Copper, 1.6mm cylinder flat head,
打击力度为2倍之弹片标准荷重规格
Hit force is 2 times standard Froce specification
打击速度为120次/分, 打击位置为弹片正中心,
Speed: 120cycles/min, Right in the center of the Dome.
测试治具底部为平面;
Height of fixture: 0mm



FORCE CHARACTERISTICS

OF: OPERATING FORCE (gf)
CP: COMPRESSION PEAK POINT
RF: RETURN FORCE (gf)
RL: RELEASE LOW POINT
S: STROKE (mm)
CR: CLICK RATIO
CR= [(OF-RF)/OFx100%]
RESISTANCE: ≤1 Ω

YY	Plating	Thickness
DN	Nickel	0.2um
DJ	Gold	0.05um
DY	Silver	0.5um



麦拉PET+锅仔总高度=产品厚度 .



代号说明 Code description	
B	腰圆 Oval
5D	下凸五点 5 dimples
DN	镀镍 Ni
J	散装包装 Bulk packing

序号 Item	产品型号 Product model	材料厚度 Materials T (mm)	动作荷重 Operating Force (g)	手感率 Click Ratio (%)	弹片高度 Height H (mm)	行程 Travel S (mm)	动作寿命 Operating life (cycles)
1	SD-X4B13-5D-DN-J	0.055	130±20	55±10	0.24±0.03	0.18±0.03	500000

this document is the property of Zigeng. It may not be reproduced without the prior written permission of the owner.

		图号 DWG NO.	4B135DDNJ-000
邦斯达 深圳市子庚科技有限公 TRIGONOMETRY		比例 SCALE	15:1
核 APPROVED	王瑾雅	产品名称 PRODUCT NAME	弹片 METAL DOME
核 CHECKED		工作温度 OPERATING TEMPERATURE	+105° -40°
制 DRAWN	张鸿标	储存温度 DEPOSIT TEMPERATURE	+100° -55°
日 DATE	2024.06.12	页码 Page	1/1