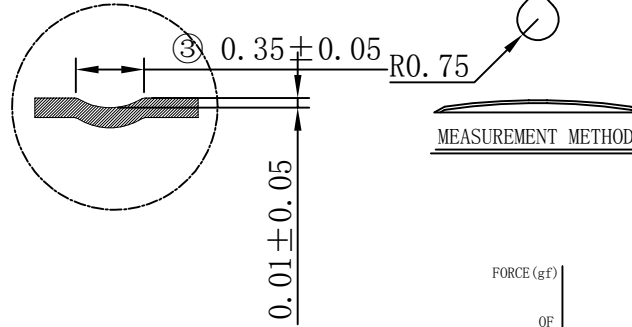
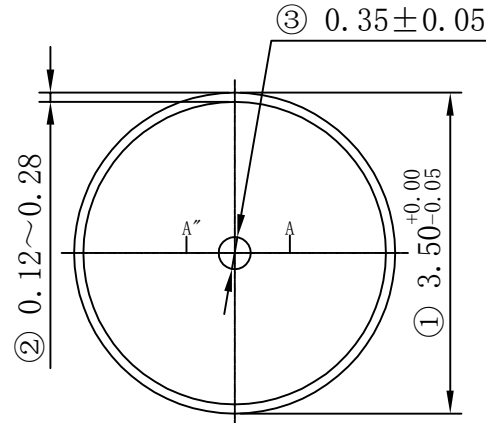


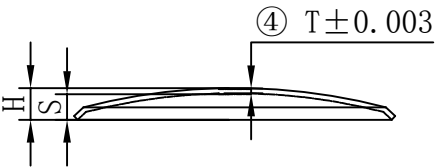
Dome reference ×××	Trip Force±10(g)		Trip Force±20(g)		
	100	130	180	200	
Height H±0.03(mm)	0.13	0.14	0.16	0.18	
Click ratio(%)±15	50				

REVISIONS HISTORY				精度	公差
REV	DESCRIPTION	DATE	MODIFIED BY	CLASS	TOLERANCE
				X.X	±0.30
				X.XX	±0.10
				X.XXX	±0.05
				ANGLES	±0.5°



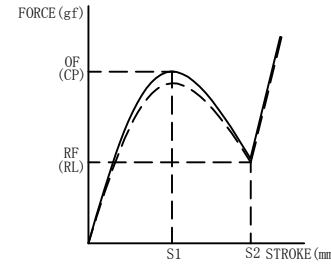
寿命测试规范:  
Specification for life testing:  
测试头为直径1.6mm铜质平头,  
Copper, 1.6mm cylinder flat head,  
打击力度为2倍之弹片标准荷重规格  
Hit force is 2 times standard Froce specification  
打击速度为120次/分, 打击位置为弹片正中心,  
Speed: 120cycles/min, Right in the center of the Dome.  
测试治具底部为平面;  
Height of fixture: 0mm

MEASUREMENT METHOD



Burr direction

YY	Plating	Thickness
DN	Nickel	0.2um
DJ	Gold	0.05um
DY	Silver	0.5um



FORCE CHARACTERISTICS

OF: OPERATING FORCE (gf)  
CP: COMPRESSION PEAK POINT  
RF: RETURN FORCE (gf)  
RL: RELEASE LOW POINT  
S: STROKE (mm)  
CR: CLICK RATIO  
CR= [(OF-RF)/OFx100%]  
RESISTANCE: ≤1Ω

麦拉PET+铜仔总高度=产品厚度.



代号说明 Code description	
C	圆形 Round
1D	下凸单点 1 dimple
DN	镀镍 Ni
J	散装包装 Bulk packing

序号 Item	产品型号 Product model	材料厚度 Materials T (mm)	动作荷重 Operating Force (g)	手感率 Click Ratio (%)	弹片高度 Height H (mm)	行程 Travel S (mm)	动作寿命 Operating life (cycles)
1	SD-X3.5C16-1D-DN-J	0.055	160±20	50±15	0.20±0.03	0.15±0.03	500000

this document is the property of Zigeng. It may not be reproduced without the prior written permission of the owner.

		图号 DWG NO	3.5C161DDNJ-000		
深圳市子庚科技有限公司 		测量方法 TRIGONOMETRY			
核准 APPROVED	王瑾雅	材料 MAT.	SUS301	比例 SCALE	10:1
核对 CHECKED		产品名称 PRODUCT NAME	金属弹片 METAL DOME	单位 UNIT	毫米 MM
制图 DRAWN	张鸿标	工作温度 OPERATING TEMPERATURE	20~40	版次 No.REV.	A0
日期 DATE	2024.06.26	储存温度 DEPOSIT TEMPERATURE	23±0.2 -55	页码 Page	1/1