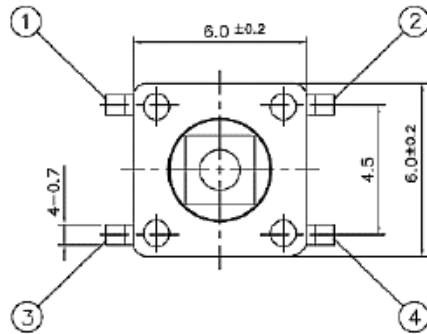
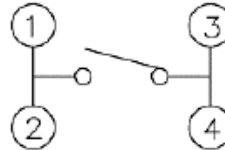


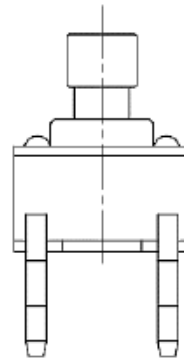
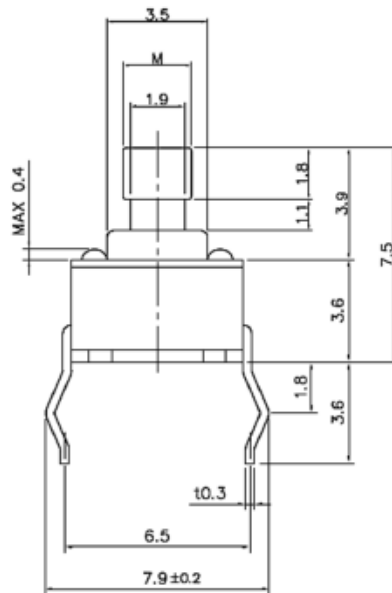
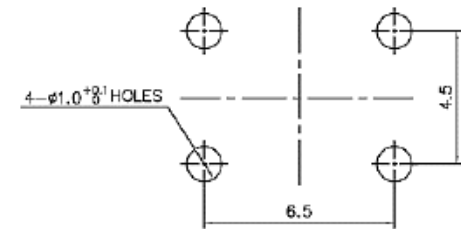
MRK.	DATE	REVISION	SIGN
△			



CIRCUIT DIAGRAM



P.C.B MOUNTING PATTERN



MODEL	M(mm)
STP-1234	2.4
STP-1234A	2.8

SPECIFICATION

1. RATING : DC 12V 50mA
2. TRAVEL : 0.25±0.1mm
3. CONTACT RESISTANCE : 100mΩ MAX.
4. BOUNCE : 10m SEC MAX.
5. OPERATING FORCE : 160±50gf
6. LIFE CYCLE : 80,000 CYCLES

NO.	DESCRIPTION	MATERIAL	COLOR/FINISH	Q.TY	VENDOR
01	-			1	-
DRAW/DESIGNED	CHECKED	APPROVED	TITLE	TACT SWITCH	
W.J.LEE	J.P.ROH	K.L.LEE	SCALE	STP-1234	SHEET
SHENZHEN ZIGENG TECHNOLOGY CO., LTD.			UNIT	BSD-STP-1234-S-01	1/1