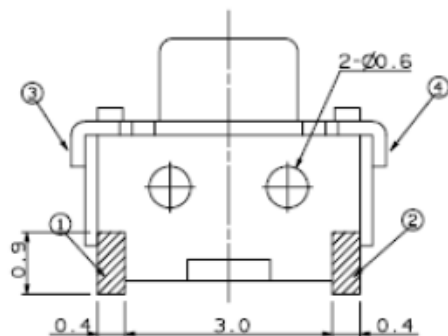
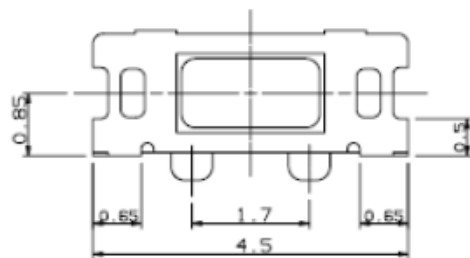
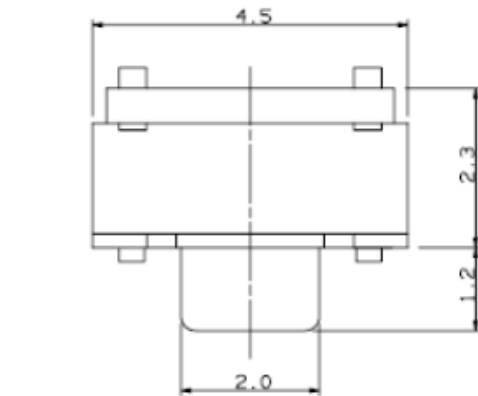
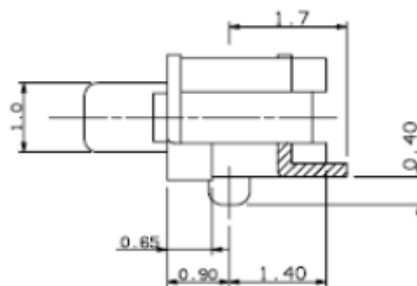
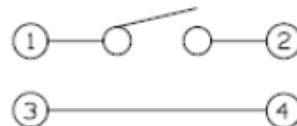


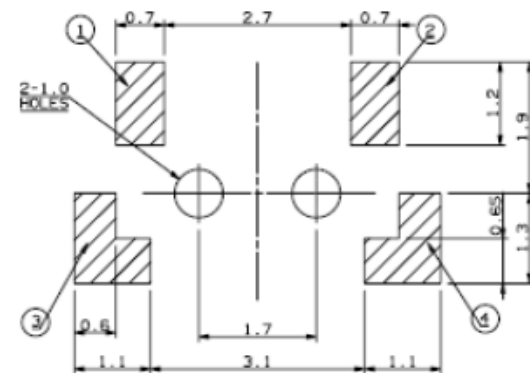
MRK.	DATE	REVISION	SIGN
△			



CIRCUIT DIAGRAM



P.C.B LAND DIMENSION



SPECIFICATION

1. RATING : DC 12V / 20mA Max
2. TRAVEL : 0.2±0.1mm
3. CONTACT RESISTANCE : 100mΩ MAX.
4. LIFE CYCLES : 100,000CYCLE
5. OPERATING FORCE : 160±50gf

NO.	DESCRIPTION	MATERIAL	COLOR/FINISH	Q.TY	VENDOR
01	-	-	-	1	-
DRAW/DESIGNED	CHECKED	APPROVED	G.TOL	TACT SWITCH	
W.J.LEE	J.P.ROH	K.L.LEE	±0.1	STP-1100	SHEET
			UNSCALE		
			mm		
			SIZE		
			A4		
			NO.		
BONSDA			B.SD-STP-11000-D-01		1/1
SHENZHEN ZIGENG TECHNOLOGY CO., LTD.					